



# RPQ-ABW (30, 40, 50) (JE)

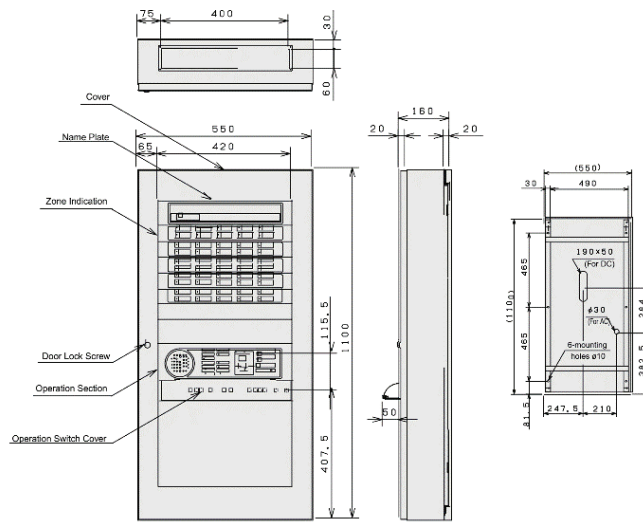
P-1 type fire alarm control panel



## Standard Features

- Versatile zone configuration to suit various requirement
- Self-diagnosis function
- Time delay function
- Various test functions
- Built-in microphone hand-free intercom
- Built-in telephone jack

## Dimension (mm)



THIS DRAWING SHOWS RPQ-ABW50 (JE)

## Specification - P-1 Type Fire Alarm Control Panel (Time Delay Type)

Product code		RPQ-ABW□(JE)		
Number of zone		30	40	50
Main power		AC220V 50/60Hz		
Transformer rating		160VA	190VA	
Battery capacity (Nickel cadmium battery)		DC24V, 0.6Ah	DC24V, 0.9Ah	
Power consumption	Monitoring (max.)	67VA	89VA	
	Operating (max.)	128VA	157VA	
Detector circuit voltage		24V (nominal)		

### HOCHIKI ASIA PACIFIC PTE. LTD.

82 UBI Ave 4 #06-02  
 Edward Boustead Centre, Singapore 408832  
 TEL: 65-6841-9728 | FAX: 65-6841-9781  
 URL : www.hochikiasiapacific.com

04/2020

### HEAD OFFICE

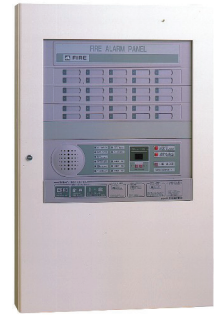
10-43 Kamiosaki 2-Chome.  
 Shinagawa-Ku, Tokyo 141-8660 Japan  
 TEL: 81-(3)-3444-4116 | FAX: 81-(3)-3444-4167  
 URL :www.hochiki.co.jp

Specifications subject to change without notice



# RPQ-ABW (30, 40, 50) (JE)

P-1 type fire alarm control panel



## Specification - P-1 Type Fire Alarm Control Panel (Time Delay Type)

Number of devices connected (Typical model names)	Smoke detector (SLV-24N) (SOC-24VN)		Max. 20 units/zone (11 units/zone in average of all zones)		
	SPC-ET (Beam detector)		3 units/zone (Emitter separate power supply), 2 sets/zone		
	Heat detector		No limit (contact type)		
	Local sounder device	8mA bell	50 units (DC24V, 400mA)	62 units (DC24V, 500mA)	75 units (DC24V, 600mA)
		13.5mA bell	29 units (DC24V, 400mA)	37 units (DC24V, 500mA)	44 units (DC24V, 600mA)
	Indication lamp	9mA LED	93 units (DC24V, 840mA)	116 units (DC24V, 1.050A)	140 units (DC24V, 1.26A)
		19mA LED	44 units (DC24V, 840mA)	55 units (DC24V, 1.050A)	66 units (DC24V, 1.26A)
Repeater panel		1 unit (Model: PEX-□H Type), (DC24V, 125mA)			
Typical delay time		Typical delay time 50s (Heat: Within 20 s, Smoke: Within 50 s)			
Delay system		Per-zone Temporary reset system			
Main alarm		Speaker (DC15V, 80mA)			
External signal transfer	General fire alarm signal transfer		1c x 1 point (DC30V-1A)		
			1a x 1 point (DC30V-1A)		
	Fire confirmation signal transfer		1a x 1 point (DC30V-1A)		
	Manual call point signal transfer		1a x 1 point (DC30V-1A)		
	Cut off signal transfer		1a x 1 point (DC30V-1A)		
	Zone signal transfer		Open-collector output x number of zones (DC30V-1A)		
Multi signal transfer		1c x 2 points, 1a x 2 points (DC30V-1A)			
Indication input		1a x 3 points (For input voltage) (DC 10V to 33V or AC 10V to 33V)			
External wire resistance		Detector line (L-C) 50Ω or less			
End of line resistor		10kΩ , 1W			
Operating temperature range		0°C to 40°C			
Material		Main body and door: Steel plate, Thickness 1.6mm, Baking finish			
		Panel portion: Self-extinguishing resin, Thickness 2.5mm			

HOCHIKI ASIA PACIFIC PTE. LTD.

82 UBI Ave 4 #06-02  
Edward Boustead Centre, Singapore 408832  
TEL: 65-6841-9728 | FAX: 65-6841-9781  
URL : www.hochikiasiapacific.com

HEAD OFFICE

10-43 Kamiosaki 2-Chome.  
Shinagawa-Ku, Tokyo 141-8660 Japan  
TEL: 81-(3)-3444-4116 | FAX: 81-(3)-3444-4167  
URL :www.hochiki.co.jp



# RPQ-ABW (30, 40, 50) (JE)

P-1 type fire alarm control panel



## Specification Specification - P-1 Type Fire Alarm Control Panel (Time Delay Type)

Color	Main body and door: Munsell value 2.5Y9/1 (semi-gloss) approximate color	
	Panel portion: Munsell value 5Y6/0.5 approximate color	
Dimension	30 - 40L (Zones)	(W)550 x (H)850 x (D)130 (mm)
	50L (Zones)	(W)550 x (H)1100 x (D)160 (mm)
Weight	25kg	30kg
Accessories	Battery, Instruction Manual, Installation Manual, End of line resistor 10kΩ (Equivalent to the number of zones), Fuse clip and Telephone handset (for panel)	
Spare part	Fuse: 3 pcs. Each	
Country of origin	Japan	

### HOCHIKI ASIA PACIFIC PTE. LTD.

82 UBI Ave 4 #06-02  
Edward Boustead Centre, Singapore 408832  
TEL: 65-6841-9728 | FAX: 65-6841-9781  
URL : [www.hochikiasiapacific.com](http://www.hochikiasiapacific.com)

04/2020

### HEAD OFFICE

10-43 Kamiosaki 2-Chome.  
Shinagawa-Ku, Tokyo 141-8660 Japan  
TEL: 81-(3)-3444-4116 | FAX: 81-(3)-3444-4167  
URL : [www.hochiki.co.jp](http://www.hochiki.co.jp)

Specifications subject to change without notice