

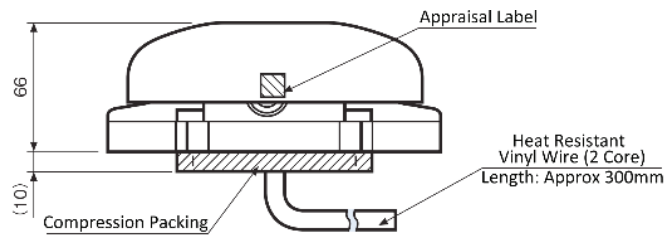
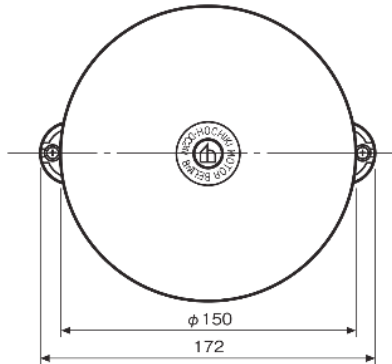
HOCHIKI

FBB-150JW

Fire alarm bell



Dimension (mm)



Specification

Type	Fire Alarm Bell (Outdoor Use)
Model	FBB-150JW
Alarm Current	8mA @24Vdc
Sound Level	Over 90dB (At Front 1m)
Operating Temp. Range	-20°C to 60°C
Material Gong Installation Base	Aluminum Alloy Aluminum Alloy
Color Gong Installation Base	Munsell 7.5R3.6/12.8 Silver
Weight	Approx. 880g
Country of Origin	Japan
Approval	JFEII

HOCHIKI ASIA PACIFIC PTE. LTD.

82 Ubi Ave 4 #06-02
Edward Boustead Centre, Singapore 408832
TEL: 65-6841-9728 | FAX: 65-6841-9781
URL : www.hochikiasiapacific.com

04/2020

HEAD OFFICE

10-43 Kamiosaki 2-Chome.
Shinagawa-Ku, Tokyo 141-8660 Japan
TEL: 81-(3)-3444-4116 | FAX: 81-(3)-3444-4167
URL : www.hochiki.co.jp

Specifications subject to change without notice