



# DFG-1W70L

Fixed temperature type heat detector



## Standard Features

- Waterproof design
- Minimal standby current
- Low profile shape
- Utilizes a bi-metallic strip to sense temperature Change, therefore consuming no standby current and providing high reliability
- No mounting base required

## Application

The DFG-1W70L is 70°C fixed temperature waterproof heat detector are suited for installation where high heat output fires are expected or in areas where ambient conditions would not allow use of other detection methods.

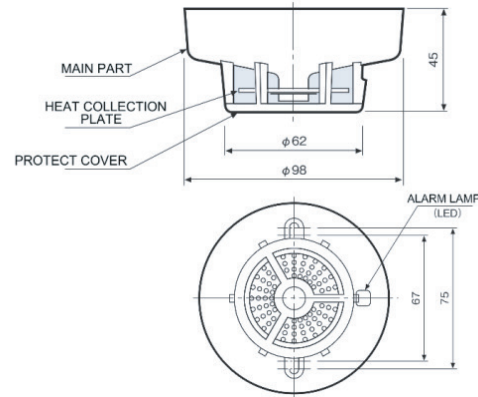
The detector has a wide operation margin allowing it to respond to both slow and fast increases in temperature, it can sense temperature reliably in a horizontal or vertical position.

## Operation

The DFG-1W70L fixed temperature waterproof heat detector consists of a disk comprising of two metals, with considerably different coefficients of expansion, which are bonded together. When the ambient temperature exceeds the fixed temperature range of the detector, the disk bi-metal trips bringing the PGS (Platinum Gold Silver) contact points into contact, establishing a short circuit and triggering an alarm. When the temperature decreases the bi-metal disk returns to its initial shape and the contact open. A built in seal LED provides a visual indication of the alarm condition.

No base is required for the detector, short flying lead are provided for connection to the conventional zone.

## Dimension (mm)



## Specification

Type	Fixed Temperature Type
Model	DFG-1W70L
Operating Temperature Range	-10 °C to 50 °C
Response	Temperature 70 °C
Operating Voltage	8.5Vdc – 30Vdc
Alarm Current	55mA @24Vdc
Material (Body) Heat Detection Element	Self-Extinguishing Resin Aluminum Plate & PGS Alloy
Color	White Ivory
Weight	Approx. 80g
Country of Origin	Japan
Approvals	JFEII

### HOCHIKI ASIA PACIFIC PTE. LTD.

82 Ubi Ave 4 #06-02  
Edward Boustead Centre, Singapore 408832  
TEL: 65-6841-9728 | FAX: 65-6841-9781  
URL : [www.hochikiasiapacific.com](http://www.hochikiasiapacific.com)

### HEAD OFFICE

10-43 Kamiosaki 2-Chome.  
Shinagawa-Ku, Tokyo 141-8660 Japan  
TEL: 81-(3)-3444-4116 | FAX: 81-(3)-3444-4167  
URL : [www.hochiki.co.jp](http://www.hochiki.co.jp)